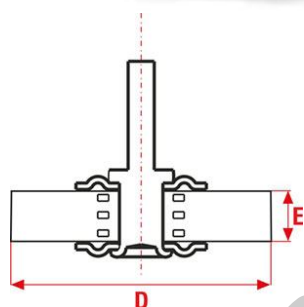




Wheel Drill Brushes GG diameters 18-80 for Drill



Wheel Brushes with shaft in highly resistant crimped steel wire and very high wire density. They ensure long service life and great performance in the various industrial processes.

Applications: Dust, rust and waste removal from surfaces of any material and shape.

D	ART	SHAFT	E	Ø mm	WIRE	MAX RPM	Box	REF
18	GG21	6x25	3	0,1	Steel	18000	12	3145
25	GG25	6x25	5	0,2	Steel	18000	12	3146
30	GG32	6x25	9	0,15	Steel	18000	12	848
40	GG42	6x25	9	0,3	Steel	18000	12	850
40	GG42	6x25	9	0,3	Stainless steel	18000	12	2502
40	GG43	6x25	12	0,3	Steel	18000	12	851

D	ART	SHAFT E	Ø mm	WIRE	MAX RPM	Box	REF
40	GG43	6x25	12 0,3	Stainless steel	18000	12	966
40	GG44	6x25	15 0,3	Steel	18000	12	853
40	GG44	6x25	15 0,3	Stainless steel	18000	12	967
50	GG52	6x25	9 0,3	Steel	15000	12	855
50	GG52	6x25	9 0,15	Steel	15000	12	856
50	GG52	6x25	9 0,3	Stainless steel	15000	12	2505
50	GG53	6x25	12 0,3	Steel	15000	12	857
50	GG53	6x25	12 0,3	Stainless steel	15000	12	968
50	GG54	6x25	15 0,3	Steel	15000	12	859
50	GG54	6x25	15 0,3	Stainless steel	15000	12	969
50	GG55	6x25	18 0,3	Steel	15000	36	858
50	GG56	6x25	21 0,3	Steel	15000	36	860
60	GG62	6x25	9 0,3	Steel	15000	12	861
60	GG62	6x25	9 0,15	Steel	15000	12	862
60	GG62	6x25	9 0,3	Stainless steel	15000	12	2508
60	GG63	6x25	12 0,3	Steel	15000	12	863
60	GG63	6x25	12 0,3	Stainless steel	15000	12	971
60	GG64	6x25	15 0,3	Steel	15000	12	865
60	GG64	6x25	15 0,3	Stainless steel	15000	12	972
70	GG72	6x25	9 0,3	Steel	15000	12	867
70	GG72	6x25	9 0,15	Steel	15000	12	868
70	GG72	6x25	9 0,3	Stainless steel	15000	12	2510
70	GG73	6x25	12 0,3	Steel	15000	12	869
70	GG73	6x25	12 0,3	Stainless steel	15000	12	973
70 *	GG73	6x25	12 0,3	Stainless steel	15000	12	999
70	GG74	6x25	15 0,3	Steel	15000	12	871
70	GG74	6x25	15 0,3	Stainless steel	15000	12	974
80	GG82	6x25	9 0,3	Steel	12000	12	873
80	GG82	6x25	9 0,3	Stainless steel	12000	12	2513
80	GG83	6x25	12 0,3	Steel	12000	12	874
80	GG83	6x25	12 0,3	Stainless steel	12000	12	976
80	GG83	6x25	12 0,3	Brass	12000	12	876
80	GG84	6x25	15 0,3	Steel	12000	12	877
80	GG84	6x25	15 0,3	Stainless steel	12000	12	977